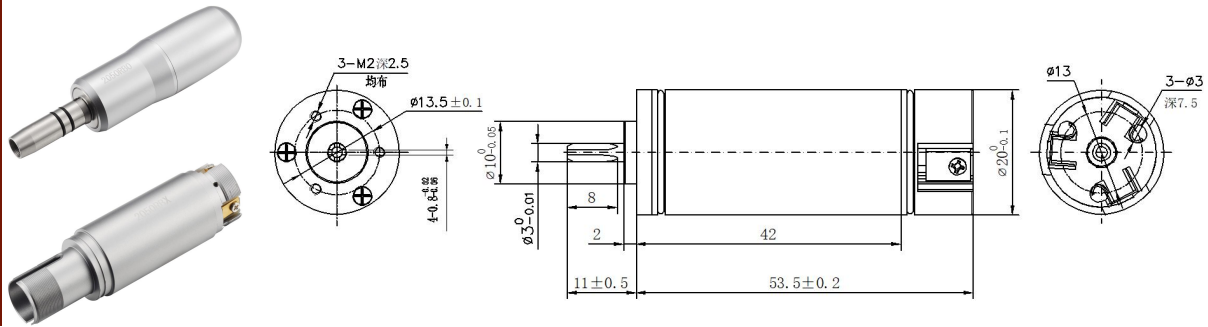


## 2050RB Coreless BLDC Motor



Typical Applications: Hair transplant. Jade Carving Machine. Dental transplant

电机参数 (Motor data)		12C	9C			
额定电压下数值 (Values at nominal voltage)						
1 额定电压 (Nominal voltage)	V	24	36			
2 空载转速 (No load speed)	rpm	38500	42460			
3 空载电流 (No load current)	mA	140	120			
4 额定转速 (Nominal speed)	rpm	36580	40330			
5 额定转矩 (最大连续转矩) (Nominal torque)	mNm	5.53	5.99			
6 额定电流 (最大连续电流) (Nominal current)	A	1.06	0.85			
7 堵转转矩 (Stall torque)	mNm	109.92	118.98			
8 堵转电流 (Stall current)	A	18.6	14.81			
9 最大效率 (Max efficiency)	%	84	84			
电机常数 (Motor constant)						
10 相间电阻 (Terminal resistance)	Ω	1.29	2.43			
11 转矩常数 (Torque constant)	mNm/A	5.83	7.94			
12 速度常数 (Speed constant)	rpm/V	1604	1179			

### 其他特性参数 Other characteristic parameters

13 环境温度范围 (Ambient temperature)	-10-40°C
14 绕组最高允许温度 (Max permissible winding temperature)	120°C
15 最高允许转速 (Max permissible speed)	50000rpm
16 电极磁极对数 (Number of the pole pairs)	1
17 相数 (Number of Phases)	3
18 电机质量 (Weight)	66g

### 09C电机曲线图 motor curve

